



Medium Intensity Long Life Red & White Flashing Lights ...

This is a very special Technovators range of warning systems for towers featuring highly energy efficient strobe lights designed for minimal ground scatter. Choose between single and dual source-lighting systems.

Features

- ICAO (Type A, annexure 14) compliant product design and performance
- Multidirectional medium intensity aviation light
- SMPS driven Xenon Flash head
- 20-90 FPM Light Flash frequency (factory adjusted)
- Source intensity adjusts automatically to ambient light
- Photo-sensor enabled uninterrupted operability
- Best quality copper earthing connections for prompt and efficient lightening protection
- Customizable for both AC and DC environments
- Polyurethane coated, aluminum alloy housing for flash head for complete weather protection
- High quality UV resistant, acrylic Fresnel Lens
- Sturdy, weather protected housing for Electronic Flasher
- All hardware cast in corrosion resistant metal alloys
- Excellent dust and moisture sealing through EPDM gaskets
- Wide operating temperature range (-40 deg. celsius to +50 deg. Celsius)
- Also available in Duplex version with a combination of Red LED/ White Xenon for round the clock use.
- Control gear housed in separate enclosure

Applications

- High-rise buildings, Power and telecom transmission towers where day marking not done.
- High rise pylons and chimneys



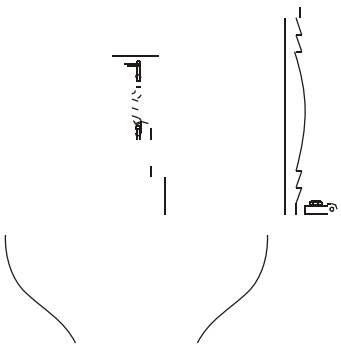
TASS - MI - XEDN



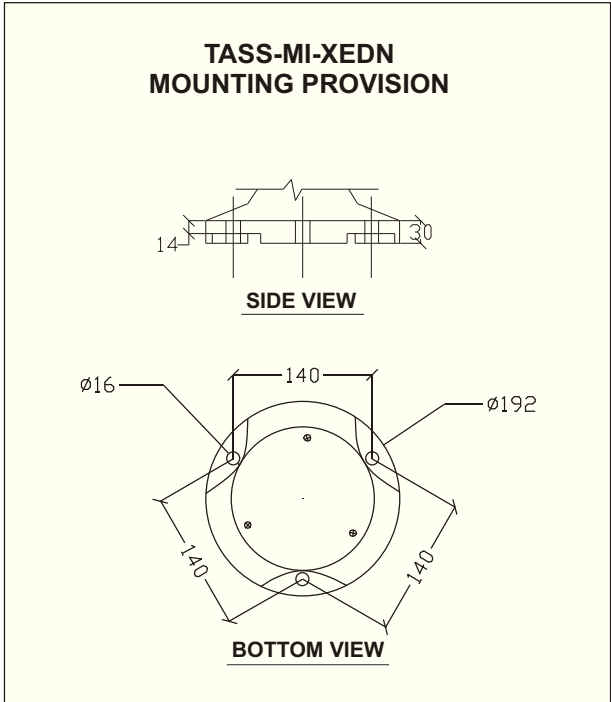
TASS - MI - XE - DN (RW)

Tower Marking lights

**TASS-MI-XEDN
DIMENSION DETAIL**



**TASS-MI-XEDN
MOUNTING PROVISION**



Catalogue No.	Color of light Emitted	ICAO type	Lamp Type	Optical Lens material	Weight	Environment Protection Class		Type of control Gear	Photocontroller Built-in Type	Radiated Emission as per CISPR 11
						For Light	For Control Gear			
TASS-MI-XE DN	White	Type A	XENON	Acrylic	15 kgs Approx	IP 65	IP 55	Voltage Regulator Cum Flasher	External	Satisfactory
TASS-MI-XE-DN-(RW)	White & Red	Type A & B	LED Cluster & XENON	Acrylic	27.5 kgs Approx	IP 65	IP 55	Voltage Regulator Cum Flasher	External	Satisfactory