



Cable Warning marker In Flight Path...

This Technovators range brings to you Highly visible mechanical warning systems for marking transmission lines and ropeways in flight path.

Features

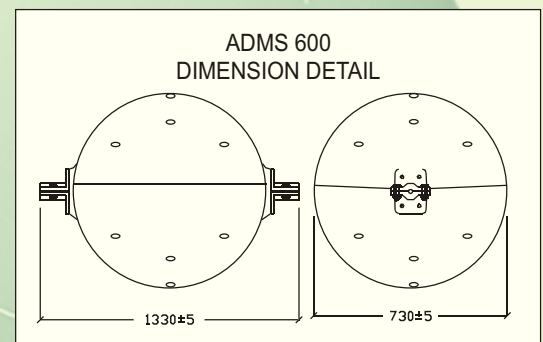
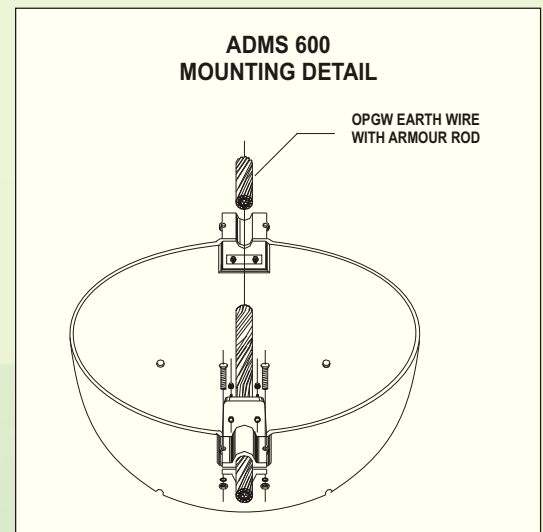
- ICAO and FAA compliant product design and performance
- Light weight sturdy casings (of glass-fiber reinforced polyester resin or spun cast aluminum)
- Casing colors are fade-resistant (UV stabilized pigments dissolved in resin while moulding)
- Polyurethane overcoat on casings further increases color fastness and casing-life
- Strategically located drain holes for rapid rain water exit

Applications for Warning Planes

- High-rise Power transmission Lines
- High Slung cable-car lines
- Ropeway cables
- Guy Wires

Installation

- Designed for cable mountings through machined to size clamps
- Installation convenience also ensured because of split-design (available in two halves)



Technical Details

Catalogue No.	Weight	Diameter	Drain Holes	Armour Rod	Material of Clamp	Material of sphere	Color of Sphere	Standard Application
ADMS 600	5.0 Kg Approx	600 mm	Provided	Optional	Aluminum Alloy/Galvanized Mild Steel	Fibre Reinforced Polyester	White/ Red/ Orange	I.C.A.O FAA
ADMS (AL) 600	5.0 Kg Approx	600 mm	Provided	Optional	Aluminum Alloy/Galvanized Mild Steel	Aluminum	White/ Red/ Orange	I.C.A.O FAA